



Team Work • Ideas • Interaction • Results

Recycling & Container Systems

# 3 Way Recycling Stations



**ENVIROCURB<sup>®</sup>**  
[www.envirocurb.com](http://www.envirocurb.com)



*Team Work • Ideas • Interaction • Results*

- Product Specifications

**Enviro-Curb • Public Place Series**



**Enviro-Curb • Kingsey Series**



**ENVIROCURB<sup>®</sup>**

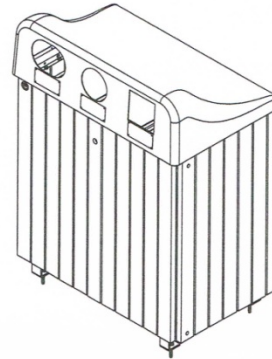
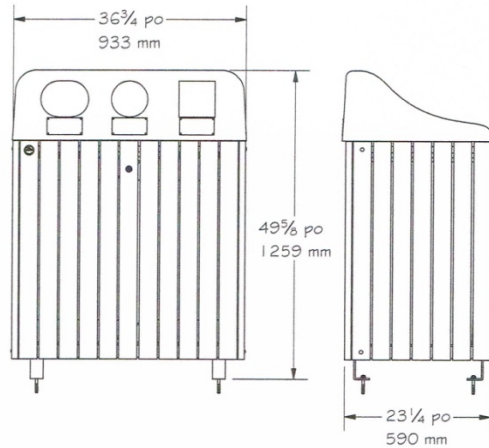
[www.envirocurb.com](http://www.envirocurb.com)



• Specifications

**ENVIROCURB**  
www.envirocurb.com  
1-800-655-0827

Public Place Series - Triple recycling unit  
#184300  
Rev.: February 14th, 2012



**Features:**

- This triple recycling unit is made of **ULTRAPLAST™** recycled plastic and its structure is made of steel coated with our InfiniGuard Professional anti-corrosion system.
- Trash is made of 1" x 3" (25mm x 73mm).
- Structure is made of steel, 1/4" of thick (6mm).
- Thermoformed plastic lid.
- Front opening door with anti-theft-lock (key included).
- 3 polyethylene insides receptacles, capacity: 23 gallons US (87 litres).
- Chameleon hardware.
- Stainless steel standard anchor for concrete.
- Factory assembled.

**Standard installation details:**

- Surface mounted.

**Options:**

- Side ahstray.
- Stainless steel anti-theft anchor.
- Stainless steel anti-theft hardware.
- Semi-assembled.

Weight :196 lbs

**ENVIROCURB®**  
www.envirocurb.com

• Specifications

Fiche technique du bac de recyclage, Série Place publique / Specification Sheet for Recycling Unit, Public Place Series

-Capacité: 26 l litres.  
(3 contenants intérieurs d'un capacité de 87 litres).  
-Capacity: 69 gal. US.  
(3 inside receptacles, capacity: 23 gal. US).

-Dalle de béton proposée 1000mm x 700 x 150mm ou  
2 dalles: 700mm x 300mm x 150mm.  
-Suggested concrete slab 40" x 28" x 6" or  
2 slabs: 28" x 12" x 6".

Cendrier latéral / Side Ashtray  
(Option)

Couleur de piètement / Frame color:  
-E-coat peint noir / E-coat painted black

Ancrage / Anchor

Ancrage standard inox.  
SS standard anchor.

Ancrage antivol inox.  
SS anti-theft anchor  
(Option)

Nom du Produit: Bac de Recyclage / Recycling Unit			
# Produit: 184300			
<b>ENVIROCURB</b> www.envirocurb.com			
1-800-655-0827			
Dessinateur: JASON B.	Date: 29/07/2010	Page: 1/2	Révision: 14/02/2012

Poids: 89 kg.  
Weight: 196 Lb.

• Specifications

Assemblage du bac de recyclage / Recycling Unit Assembly			
Liste de matériel / List of materials			
#	Qt.	#Produit / #Product	Description
A	1	SRB	Structure inférieure en acier / Structure steel lower
B	1	SRH	Structure supérieure en acier / Structure steel upper
C	4	111300	Plaque portes / Door plates
D	1	751223-P	LASER #751223. ACIER INOXYDABLE 7/8 x 4-21/32 x 1/8
E	1	111303	Couvercle de plastique assembler chez proflex
F	21	A1_-35-2TR	Planche de plastique recyclé / Recycled plastic slat: 1 x 3
G	2	A1_-35-2TRDC	Planche de plastique recyclé / Recycled plastic slat: 1 x 3
H	2	A1_-35-2TR(1/4)	Planche de plastique recyclé / Recycled plastic slat: 1 x 3
J	1	A1_-35-3TR	Planche de plastique recyclé / Recycled plastic slat: 1 x 3
K	9	A1_-35-4TR	Planche de plastique recyclé / Recycled plastic slat: 1 x 3
L	1	A1_-35-4TRMED	Planche de plastique recyclé avec médaillon / Recycled plastic slat with medallion: 1 x 3
M	3	OPR	Réceptier de plastique / Plastic container: 87 litres (23 gal. US)
N	12	POP RIVET-1/8-3/8-55	Rivet en acier inoxydable / Stainless steel rivets
P	1	LOGO/RECY (METAL-PLASTIQUE)	Pictogramme métal et plastique / Pictogram plastic and steel: 2 3/4" x 5 1/2" x 0.040 (fond blanc)
Q	1	LOGO/POUBELLE	Pictogramme poubelle / Pictogram trash: 2 3/4" x 5 1/2" x 0.040 (fond blanc)
R	1	LOGO/RECY-(PAPIER-CARTON)	Pictogramme papier et carton / Pictogram paper and carton: 2 3/4" x 5 1/2" x 0.040 (fond blanc)
S	2	PEN-PIANO-30 55	peinture piano / Piano Hinge
T	1	MED-CASCADES	Medaillon: Diam 1 1/2
U	4	BOUCAR-1/4-20-1 1/2 SS	Vis à carrosserie en acier inoxydable / Stainless steel carriage screw: 1/4-20 1 1/2
V	1	BOU-FR-HAL-PIN-IN-1/4-20-1-55	Vis tête fraisé antivol en acier inoxydable / Stainless steel flat head, antitheft screw: 1/4-20 1
W	1	BOU-TRX-PIN-3/8-16-2-55	Vis tête ronde antivol en acier inoxydable / Stainless steel round head, antitheft screw: 3/8-16 2
X	36	DT2000#14-1-NR	Vis tête hexagonale, en acier inoxydable peinte / Painted stainless steel hexagonal head screw: #14-1
Y	6	DT2000#14-1 1/4-NR	Vis tête hexagonale, en acier inoxydable peinte / Painted stainless steel hexagonal head screw: #14-1 1/4
Z	1	ECROUHEX-3/8-16-55	Écrou hexagonal en acier inoxydable / Stainless steel hexagonal nut: 3/8-16
Z-A	5	ECROU-IND-NYL-1/4-20-55	Écrou indesserable nylon en acier inoxydable / Stainless steel, nylon lock nut: 1/4-20
Z-B	1	ECROU-IND-NYL-3/8-16-55	Écrou indesserable nylon en acier inoxydable / Stainless steel, nylon lock nut: 3/8-16
Z-C	5	RON-PL-1/4-5/8-55	Rondelle plate en acier inoxydable / Stainless steel flat washer: 1/4-5/8
Z-D	4	RON-PL-3/8-7/8-55	Rondelle plate en acier inoxydable / Stainless steel flat washer: 3/8-7/8
Z-E	62	VIS#12-TPAN-PC-3/4 55	Vis tête ronde en acier inoxydable / Stainless steel round head screw: #12-3/4
Z-F	4	KB-3/8-16-3 55	Boulon d'ancrage en acier inoxydable / Stainless steel anchor screw: 3/8-16 3
Z-G	1	CLE-T45-3/8 PIN IN-TORX	Clé / Key

Nom du Produit: **Bac de Recyclage / Recycling Unit**

# Produit: **184300**

**ENVIROCURB**  
www.envirocurb.com

1-800-655-0827

Dessinateur: Jason B.    Date: 29/07/2010    Page: 2/2    Révision: 1.4/02/2012



• Specifications

**ENVIROCURB**  
www.envirocurb.com  
1-800-655-0827

Kinsley Series - Recycling Station  
#65  
Rev.: May 2nd, 2011

**Features:**

- The station is made of **ULTRAPLAST™** recycled plastic and the structure is made of steel coated with our "InfiniGuard Professional" anticorrosion system.
- The slats measure 1 - 1/4" x 3" (25mm x 68mm).
- Stainless steel industrial hardware.
- Three inside polyethylene liners, capacity: 23 gallons US ( 87 litres) each.
- Three identification plates: paper recycling, trash and cans/bottles.
- Liners are emptied through front opening.
- Front opening door with an anti-theft lock (key included).
- Chameleon hardware.
- Stainless steel standard anchor for concrete.
- Factory assembled.

**Standard installation details:**

- Surface mounted.

**Options:**

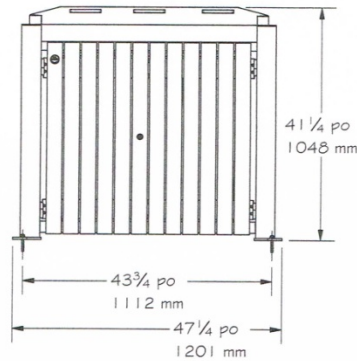
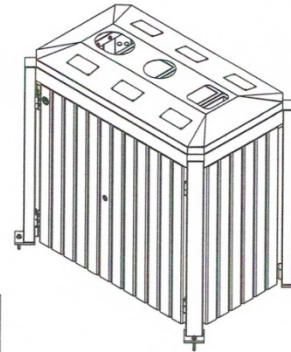
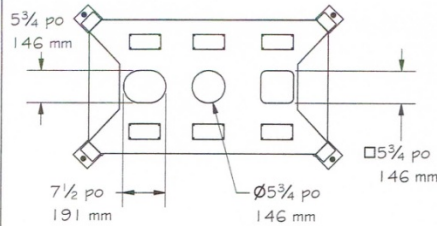
- Stainless steel anti-theft anchor.
- Side ashtray.
- Stainless steel anti-theft hardware.

Weight: 280 lb



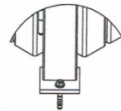
• Specifications

Fiche technique du bac multimatières, Série Kingsey / Specification Sheet for Recycling Station, Kingsey Series

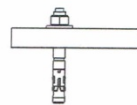


-Dalle de béton proposée:  
1525mm x 915mm x 150mm  
-Suggested concrete slab:  
60" x 36" x 6"

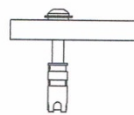
-Capacité de chaque contenant  
intérieur: 87 litres  
-Each inside liner capacity: 23 gal. US.



Ancrage / Anchor



-Ancrage standard inox.  
-SS standard anchor.



-Ancrage antivol inox.  
-SS anti-theft anchor.  
(Option)



Cendrier latéral / Side Ashtray  
(Option)

Couleur de piètement / Frame color:

- E-coat peint noir / E-coat painted black.
- E-coat peint gris / E-coat painted grey.

Nom du Produit:	
BAC MULTIMATIÈRES / RECYCLING STATION	
# Produit:	
#65_	
<b>ENVIR CURB</b> www.envirocurb.com	
1-800-655-0827	

Poids: 127 Kg.  
Weight: N/D.

Dessinateur:	Date:	Page:	Révision:
JASON B.	08/07/2010	1/3	02/05/2011



• Specifications

**Assemblage du bac multimatères / Recycling Station Assembly**

Liste de matériel / List of materials

#	Qt.	#Produit / #Product	Description
A	1	565-A55-AV	Sous-assemblage de l'avant / Sub-assembly of front side
B	1	565-SS-A55	Sous-assemblage du panneau l'arrière / Sub-assembly of back panel
C	1	566-SS-A55	Sous-assemblage du panneau gauche / Sub-assembly of left panel
D	1	574-SS-A55	Sous-assemblage du panneau droit / Sub-assembly of right panel
E	2	572	Support de fond / Bottom support
F	1	OPD	Couvercle plat / Flat lid
K	24	POP RIVET-1/8-3/8-SS	Rivet en acier inoxydable / Stainless steel rivets
L	3	OPR	Contenant intérieur: 87 litres / Inside liner: 23 gal. US
M	16	BOUTR-HAL-3/8-1/6-1-SS	Vis tête ronde en acier inoxydable / Stainless steel round head screw : 3/8-1/6
N	16	RON-PL-3/8-7/8-SS	Rondelle plate en acier inoxydable / Stainless steel flat washer: 3/8-7/8
O	8	DT2000#1/4-1-NR	Vis tête hexagonale, en acier inoxydable peinte / Painted stainless steel hexagonal head screw : #1/4-1
P	2	BOUHEX-1/4-20-3/4-SS	Vis tête hexagonale en acier inoxydable / Stainless steel hexagonal head screw: 1/4-20 3/4
Q	4	RON-PL-1/4-5/8-SS	Rondelle plate en acier inoxydable / Stainless steel flat washer: 1/4-5/8
R	2	ECROUHEX-1/4-20-SS	Ecrou hexagonal en acier inoxydable / Stainless steel hexagonal nut : 1/4-20
2		LOGO/POUBELLE	Pictogramme poubelle / Pictogram trash: 2 3/4' x 5 1/2' x 0.040 (fond blanc)
2		LOGO/RECY (METAL-PLASTIQUE)	Pictogramme métal et plastique / Pictogram plastic and steel: 2 3/4' x 5 1/2' x 0.040 (fond blanc)
2		LOGO/RECY-PAPIER-CART (ON)	Pictogramme papier et carton / Pictogram paper and carton: 2 3/4' x 5 1/2' x 0.040 (fond blanc)

**DETAIL A**

**DETAIL B**

**DETAIL C**

Nom du Produit:	
BAC MULTIMATIÈRES / RECYCLING STATION	
# Produit:	
#65_	
<b>ENVIR CURB</b> www.envirocurb.com	
1-800-655-0827	
Dessinateur:	Date:
JASON B.	08/07/2010
Page:	Révision:
2/3	02/05/2011





## • Product Benefits

Public Place Series – Triple Recycling Unit – made with recycled plastic available in five (5) colours and its structure is made of steel coated anti-corrosion system. The structure is made of  $\frac{1}{4}$  6mm steel.

### Features:

Surface Mounted, Factory Assembled, Stainless Steel Standard Anchor, Chameleon Hardware, Front Opening Door, Anti theft lock (key included), Thermoformed Plastic Lid and comes with Three (3) inside receptacles eighty seven (87) litres.

### Options:

Side ashtray

Stainless Steel Anti Theft Anchors



## • Product Benefits

Kingsey Series –Recycling Unit – made with recycled plastic available in five (5) colours and its structure is made of steel coated anti-corrosion system.

### Features:

Surface Mounted, Factory Assembled, Stainless Steel Standard Anchor, Chameleon Hardware, Front Opening Door , Anti theft lock (key included), Thermoformed Plastic Lid and comes with Three (3) inside receptacles eighty seven (87) litres.

### Options:

Side ashtray

Stainless Steel Anti Theft Anchors



## • Product Benefits

### Manufacture Warranty

The Manufacturer hereby guarantees Enviro Curb materials against decay and splitting, for a 25 year period, effective as of the date on the original of the initial purchase.

**ULTRAPLASTIC** recycled plastic and the structure is made of steel coated with our **INFINIGUARD PROFESSIONAL** anticorrosion system.



*Team Work • Ideas • Interaction • Results*

- Deliverables

Product # 184300 Triple Recycling Station

Product # 65 – Kingsey Series Recycling Station

FOB Delivery – Extra

Applicable Taxes – Extra





*Team Work • Ideas • Interaction • Results*

## • Contact Us

### **Enviro-Curb Manufacturing Inc.**

Box 5536

Ottawa, Ontario, K2C 3M1

CANADA

Tel: (613)233-3854 x 23

Fax: (613)563-0539

Email: [sales@envirocurb.com](mailto:sales@envirocurb.com)

Toll Free: 1-800-655-0827 x 23

## • FOB – Shipping

FOB Ottawa Ontario, FOB Drummondville PQ,,



**ENVIROCURB<sup>®</sup>**  
[www.envirocurb.com](http://www.envirocurb.com)

*Team Work • Ideas • Interaction • Results*

Enviro-Curb Manufacturing Inc.

**“Re-shaping Landscapes  
Coast to Coast”**

**ENVIROCURB®**  
[www.envirocurb.com](http://www.envirocurb.com)